



Project: _____

Items: _____

Quantity: _____

Approval: _____

Date: _____

Forkliftable Order Picking

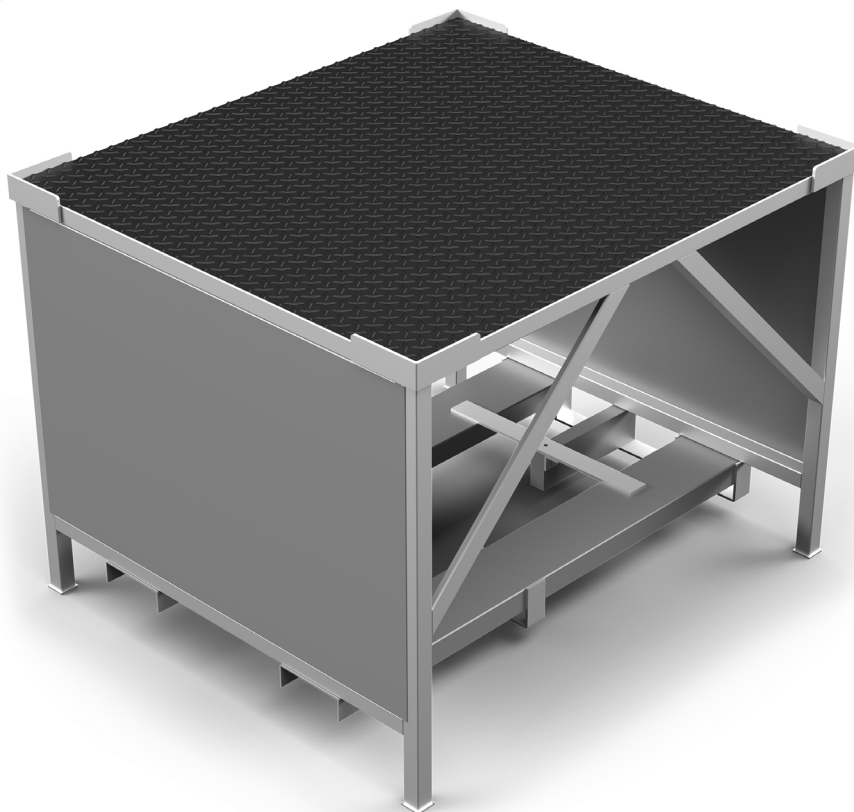
This Forkliftable Order Picking product reduces manual labor for warehouses and distribution centers. Our sturdy steel design makes forklift maneuvering safe and easy. The perfect solution for e-commerce fulfillment order picking.

Features:

- Steel construction
- Powder coated gray
- Diamond steel top prevents slipping
- Forklift pockets available on both sides
- Load Capacity: 2000 lbs

Benefits:

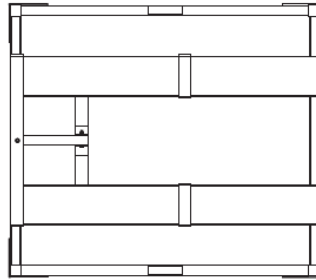
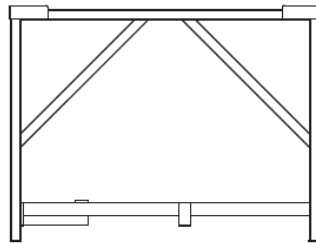
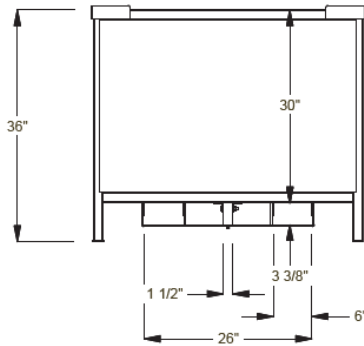
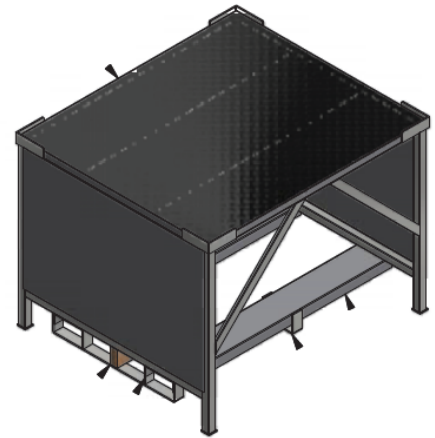
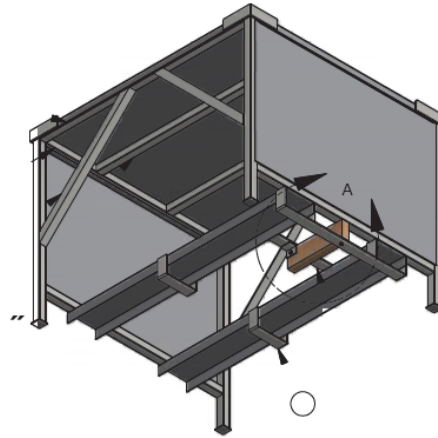
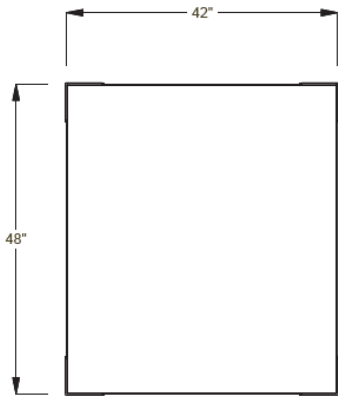
- All welded steel construction is sturdy and allows for extensive use in harsh conditions.
- Raised top platform gives an ergonomic feature for easy order picking and prevents physical strain
- The ability to lift with a forklift facilitates fulfillment and saves time.



ST-OPP-4248H36



Forkliftable Order Picking



Model Number	Order#	Overall Dimensions			Approx. Ship Wt (lb)
		Width	Length	Height	
		(in)	(in)	(in)	
ST-OPP-4248H36	1095700	48	42	36	199



In line with our policy to continually improve our products, Winholt reserves the right to change materials and specifications without notice.