



Project: _____

Items: _____

Quantity: _____

Approval: _____

Date: _____

Film Wrapper

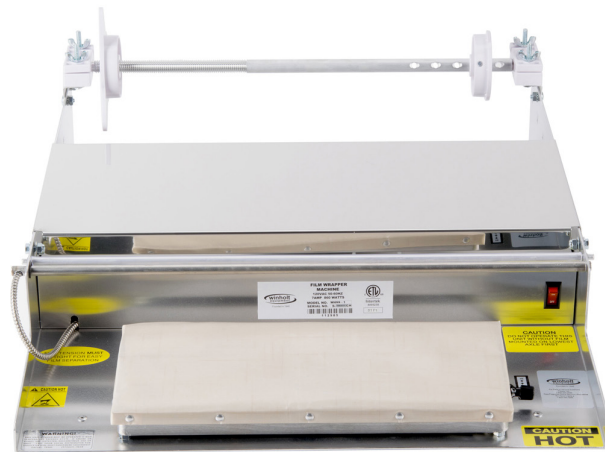
Winholt Film Wrappers keep produce fresh and kitchens sanitary. Make wrapping food efficient and easy with this product!

Features:

- Aluminum and stainless steel construction.
- Temperature controlled Teflon covered hot plate
- Mounting axle system
- Cut off rod 265° to 310°
- Accomodates rolls of film up to 18" and 8" diameter.
- Core adapter holds film rolls with a 3" diameter core.
- Electrical loop rated @ 8 AMPS, 115 volts; overall 750 watts.
- ETL Listed

Benefits:

- 100% pre-tested
- Sanitary and easily maintained
- Temperature controlled hot plate prevents sticking and seals film to ensure food stays fresh and protected.
- Complete line of ETL listed replacement parts. Our parts are fully compatible with other popular brands.
- State-of-the-art components ensure reliability and long life functionality.



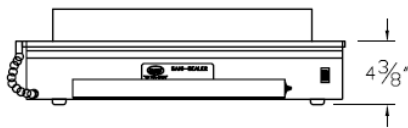
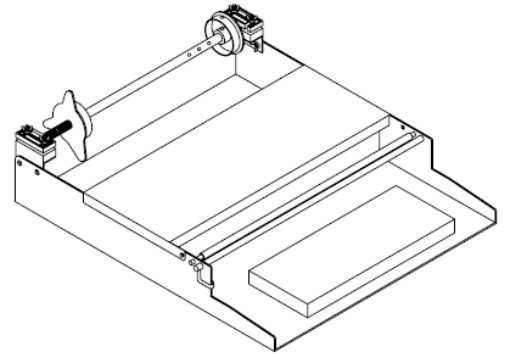
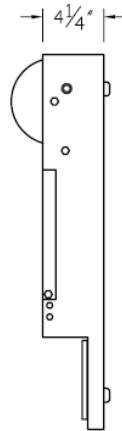
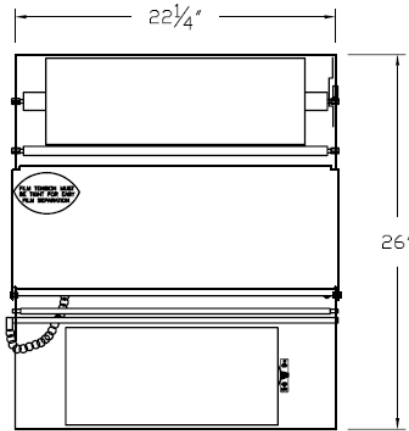
WHSS-1





Founded in 1946

Film Wrapper



| Model Number | Order# | # of Rolls | Hot Plate Dimensions (in) | Overall Dimensions | | | | | | Approx. Ship Wt | |
|--------------|--------|------------|---------------------------|--------------------|------|--------|------|--------|------|-----------------|------|
| | | | | Width | | Length | | Height | | (lb) | (kg) |
| | | | | (in) | (mm) | (in) | (mm) | (in) | (mm) | | |
| WHSS-1 | 112985 | 1 | 6 x 15 | 22.25 | 565 | 26 | 660 | 5 | 127 | 18 | 8 |



In line with our policy to continually improve our products, Winholt reserves the right to change materials and specifications without notice.