



Founded in 1946

Project: _____

Items: _____

Quantity: _____

Approval: _____

Date: _____

Half-Height Heater Proofer

This unit is designed to promote efficiency and reduce redundancy in operations by combining the function of two equipment into one and leveraging the advent of technology.

Features:

- Heavy duty aluminum construction
- Forced air design
- Dual proof/heat digital thermostatic control with temperature sensor and circuit breaker. Available with analog display.
- Proof mode: 95% RH at 110°F
- Heat mode: max temp 180°F
- Corner bumpers
- Cabinet doors have aluminum frame and lexan window
- Removable analog drawer
- Can hold (10) 18" x 26" pans
- Electrical specifications: 120V - 60 HZ, plugs into standard 110V outlet, NEMA 5/15P

Benefits:

- Half height design is perfect for utilizing space under tables and for saving space in small kitchens.
- Pans can be loaded from bottom
- Clear lexan door allows for greater visibility of food items
- Forced air design provides even heat distribution
- Less time and effort spent closely monitoring temperature and moisture within the unit
- Easily attain accurate and precise temperature and level
- Food quality, texture and freshness are well-maintained
- Overcurrent protection to the entire equipment
- Removable analog drawer allows for easy and efficient cleaning



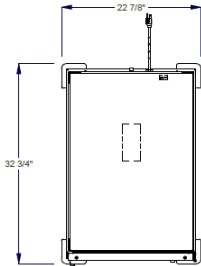
NHPL-1810HHC



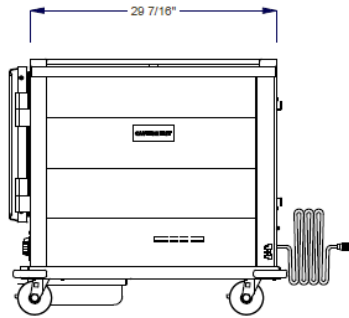
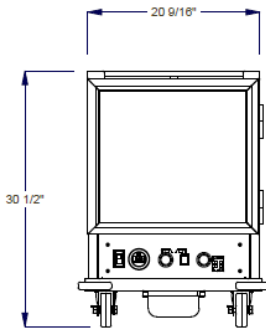


Founded in 1946

Half-Height Heater Proofer



Analog Drawer



Digital Drawer Available Upon Request

Model Number	Order#	Overall Dimensions						Approx. Ship Wt	
		Width		Length		Height			
		(in)	(mm)	(in)	(mm)	(in)	(mm)	(lb)	(kg)
NHPL-1810HHC	684625	21	533	32.75	831.85	30.5	775	91	41.28

Caster Information:

- Swivel plate caster with 5" polyurethane wheel 738A (128784)
- Swivel plate caster with 5" polyurethane wheel and brake 738ABK (204185)
- 5" Polyurethane wheel 7112 (122180)

Freight Class: 175



In line with our policy to continually improve our products, Winholt reserves the right to change materials and specifications without notice.