



Founded in 1946

Project: \_\_\_\_\_

Items: \_\_\_\_\_

Quantity: \_\_\_\_\_

Approval: \_\_\_\_\_

Date: \_\_\_\_\_

## All Welded Stainless Steel Knock-Down Tables

**Assembles in 3 minutes!**

Winholt's new all welded stainless steel knock-down tables come in standard and custom sizes. Our standard line is 300 series stainless steel with 16 gauge tops, with 18 gauge legs and undershelves. All tables come with 3" adjustable feet. NSF.

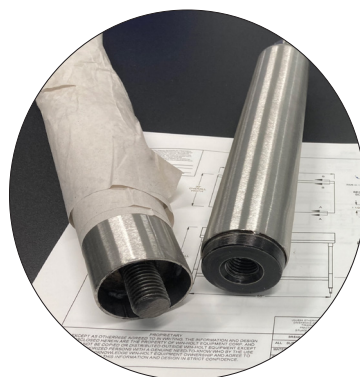
- Fully welded knock-down design ships boxed, saves volume and freight costs
- Patented design with all welded base adds strength and stability
- 300 Series stainless steel construction, includes hat channels, legs and gussets.

### Table Designs:

- Flat Top & Cross Rails
- Flat Top & Undershef
- Top with 5" Boxed Backsplash & Cross Rails
- Top with 5" Backsplash & Undershef

### Standard Sizes:

- 30" x 36"
- 30" x 48"
- 30" x 60"
- 30" x 72"



Patented Design  
#9968184



DTR-3036-HKD



DTS-3048-HKD



DTBB-3060-HKD



DTSBB-3072-HKD



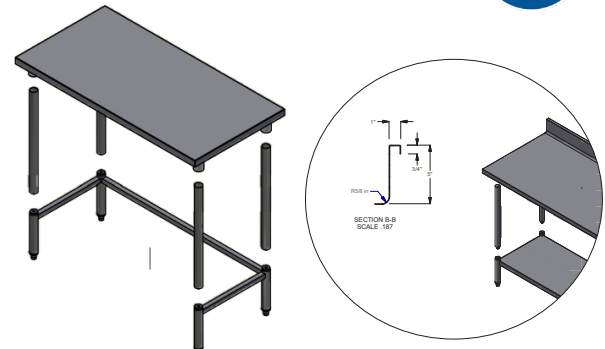
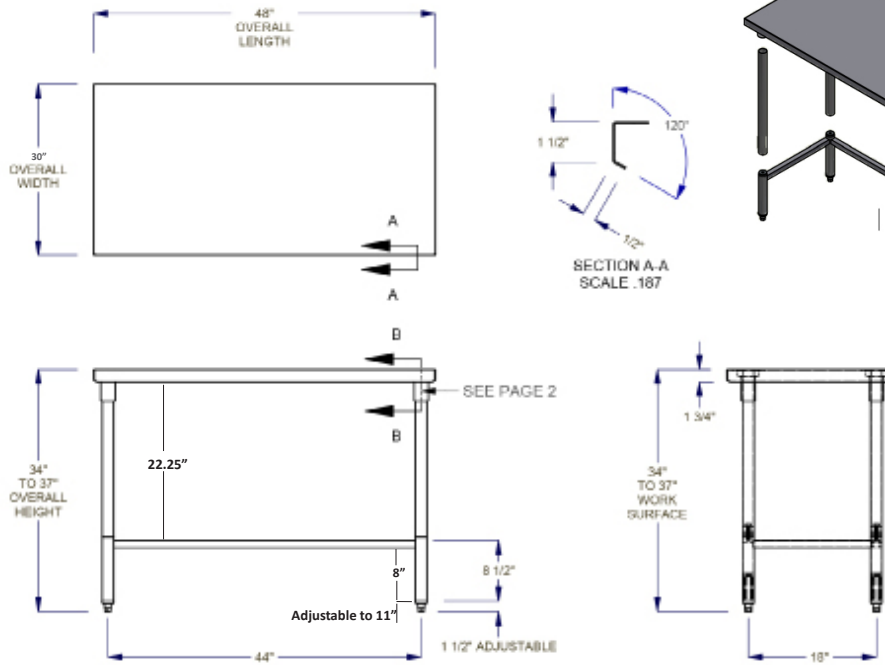
Watch Our Assembly  
Video

ALL WELDED KNOCK-DOWN STAINLESS STEEL TABLES



Founded in 1946

# All Welded Knock-Down Stainless Steel Tables 30" Width



DTBB & DTSBB Have 5" boxed  
backsplash & overall height of 39"  
to 42" from top of the backsplash

All have 3" adjustable bullet Feet

Maximum load table top and under-  
shelf combined with all adjustments  
cannot exceed 1800 pounds.

Model Number	Order#	Description	Overall Dimensions			Approx. Ship Wt (lb)	Top Wt Capacity (lb)	Reinforced Undershelf Wt Capacity (lb)	Total Wt Capacity (lb)
			Width (in)	Length (in)	Height (in)				
DTR-3036-HKD	1148783	Flat Top & Cross Rails	30	36	33 <sup>1</sup> / <sub>2</sub>	46	650	-	1050
DTR-3048-HKD	1148784	Flat Top & Cross Rails	30	48	33 <sup>1</sup> / <sub>2</sub>	55	650	-	1050
DTR-3060-HKD	1148785	Flat Top & Cross Rails	30	60	33 <sup>1</sup> / <sub>2</sub>	65	650	-	1050
DTR-3072-HKD	1148786	Flat Top & Cross Rails	30	72	33 <sup>1</sup> / <sub>2</sub>	74	500	-	900
DTS-3036-HKD	1148787	Flat Top & Undershelf	30	36	33 <sup>1</sup> / <sub>2</sub>	80	800	400	1200
DTS-3048-HKD	1148788	Flat Top & Undershelf	30	48	33 <sup>1</sup> / <sub>2</sub>	87	800	400	1200
DTS-3060-HKD	1148789	Flat Top & Undershelf	30	60	33 <sup>1</sup> / <sub>2</sub>	95	800	400	1200
DTS-3072-HKD	1148790	Flat Top & Undershelf	30	72	33 <sup>1</sup> / <sub>2</sub>	105	600	400	1000
DTBB-3036-HKD	1148791	Top with Backsplash & Cross Rails	30	36	33 <sup>1</sup> / <sub>2</sub>	53	700	-	1100
DTBB-3048-HKD	1148792	Top with Backsplash & Cross Rails	30	48	33 <sup>1</sup> / <sub>2</sub>	59	700	-	1100
DTBB-3060-HKD	1148793	Top with Backsplash & Cross Rails	30	60	33 <sup>1</sup> / <sub>2</sub>	69	700	-	1100
DTBB-3072-HKD	1148794	Top with Backsplash & Cross Rails	30	72	33 <sup>1</sup> / <sub>2</sub>	79	550	-	950
DTSBB-3036-HKD	1148795	Top with Backsplash & Undershelf	30	36	33 <sup>1</sup> / <sub>2</sub>	88	900	400	1300
DTSBB-3048-HKD	1148796	Top with Backsplash & Undershelf	30	48	33 <sup>1</sup> / <sub>2</sub>	96	900	400	1300
DTSBB-3060-HKD	1148797	Top with Backsplash & Undershelf	30	60	33 <sup>1</sup> / <sub>2</sub>	102	900	400	1300
DTSBB-3072-HKD	1148798	Top with Backsplash & Undershelf	30	72	33 <sup>1</sup> / <sub>2</sub>	107	700	400	1100

Freight Class 250

In line with our policy to continually improve our products, Winholt reserves the right to change materials and specifications without notice.