



Project: _____
 Items: _____
 Quantity: _____
 Approval: _____
 Date: _____

All Welded Stainless Steel Knock-Down Tables

Assembles in 3 minutes!

Winholt's new all welded stainless steel knock-down tables come in standard and custom sizes. Our standard line is 300 series stainless steel with 16 gauge tops, with 18 gauge legs and undershelves. All tables come with 3" adjustable feet. NSF.

- Fully welded knock-down design ships boxed, saves volume and freight costs
- Patented design with all welded base adds strength and stability

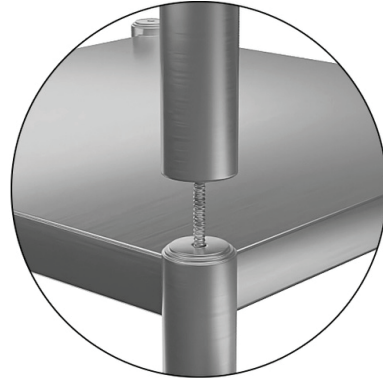
Table Designs:

- Flat Top & Cross Rails
- Flat Top & Undershef
- Top with 5" Boxed Backsplash & Cross Rails
- Top with 5" Backsplash & Undershef

Standard Sizes:

- 30" x 36"
- 30" x 48"
- 30" x 60"
- 30" x 72"

Patented Design #9,968,184



Watch Our Video

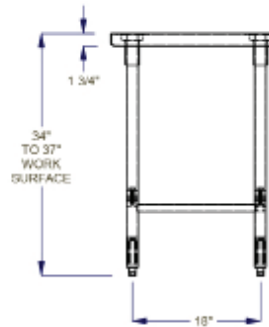
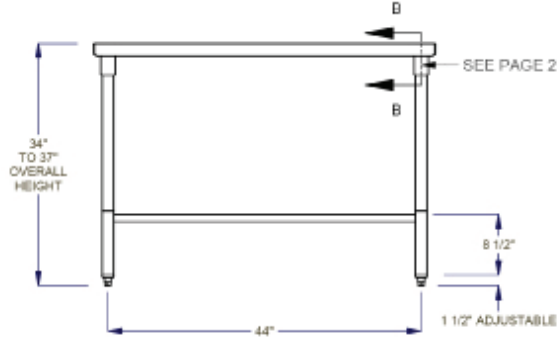
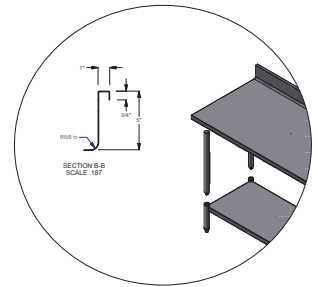
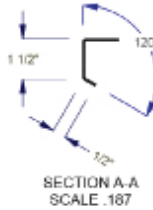
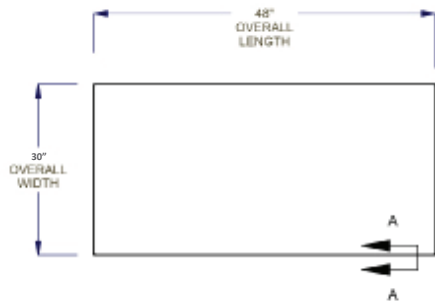


ALL WELDED KNOCK-DOWN STAINLESS STEEL TABLES



Founded in 1946

All Welded Knock-Down Stainless Steel Tables 30" Width



DTBB & DTSBB Have 5" boxed backsplash & overall height of 39" to 42" from top of the backsplash



All have 3" adjustable bullet Feet

Model Number	Order#	Description	Overall Dimensions			Approx. Ship Wt (lb)
			Width (in)	Length (in)	Height (in)	
DTR-3036-HKD	1148783	Flat Top & Cross Rails	30	36	33 ^{1/2}	46
DTR-3048-HKD	1148784	Flat Top & Cross Rails	30	48	33 ^{1/2}	55
DTR-3060-HKD	1148785	Flat Top & Cross Rails	30	60	33 ^{1/2}	65
DTR-3072-HKD	1148786	Flat Top & Cross Rails	30	72	33 ^{1/2}	74
DTS-3036-HKD	1148787	Flat Top & Undershelf	30	36	33 ^{1/2}	80
DTS-3048-HKD	1148788	Flat Top & Undershelf	30	48	33 ^{1/2}	87
DTS-3060-HKD	1148789	Flat Top & Undershelf	30	60	33 ^{1/2}	95
DTS-3072-HKD	1148790	Flat Top & Undershelf	30	72	33 ^{1/2}	105
DTBB-3036-HKD	1148791	Top with Backsplash & Cross Rails	30	36	33 ^{1/2}	53
DTBB-3048-HKD	1148792	Top with Backsplash & Cross Rails	30	48	33 ^{1/2}	59
DTBB-3060-HKD	1148793	Top with Backsplash & Cross Rails	30	60	33 ^{1/2}	69
DTBB-3072-HKD	1148794	Top with Backsplash & Cross Rails	30	72	33 ^{1/2}	79
DTSBB-3036-HKD	1148795	Top with Backsplash & Undershelf	30	36	33 ^{1/2}	88
DTSBB-3048-HKD	1148796	Top with Backsplash & Undershelf	30	48	33 ^{1/2}	96
DTSBB-3060-HKD	1148797	Top with Backsplash & Undershelf	30	60	33 ^{1/2}	102
DTSBB-3072-HKD	1148798	Top with Backsplash & Undershelf	30	72	33 ^{1/2}	107

Freight Class 250

In line with our policy to continually improve our products, Winholt reserves the right to change materials and specifications without notice.