



Founded in 1946

Project: _____

Items: _____

Quantity: _____

Approval: _____

Date: _____

Adjustable Stainless Steel Tables



Winholt's Adjustable Stainless Steel Tables feature a durable stainless steel top and a removable poly top for enhanced usability and efficient cleaning. The hydraulic lift mechanism allows for quick and effortless height adjustments to meet individual preferences; perfect for both kitchens and work environments.

Features

- All welded 16 gauge stainless steel top
- 18 Gauge stainless steel under shelving
- (1) Hydraulic lift system with foldable crank handle
- (4) Cylinders adjust up to 9"
- Adjusts from 32" to 41" height
- Weight Capacity: 1300 lbs
- NSF listed

Options

- (2) Removable 3/4" poly top boards

Benefits

- Height is easily adjusted with hydraulic lift lever, creating an ergonomic space for workers to comfortably fulfill tasks.
- Foldable crank handle for quick height adjustment, from 32" to 41" in 35 seconds.
- Removable poly top boards are made for daily cleaning and yearly replacement, perfect for busy kitchens with large work loads
- Stainless steel design is sanitary and easy to clean. Will not rust, allowing for years of use with no change in efficiency.

Model DTS-3048H32-ADJ-9



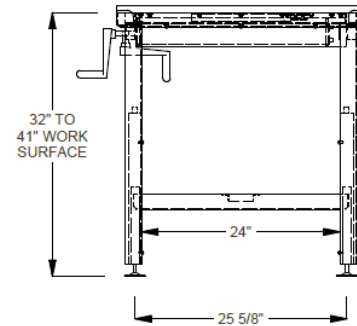
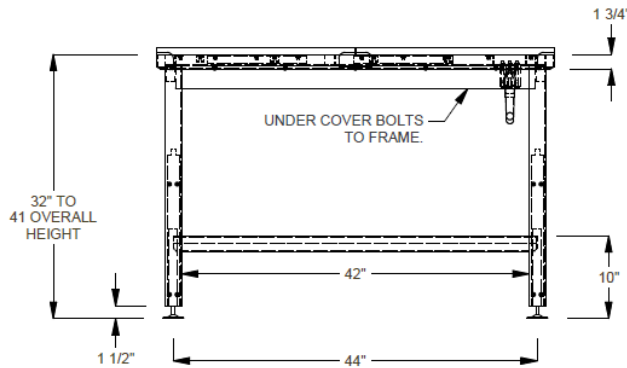
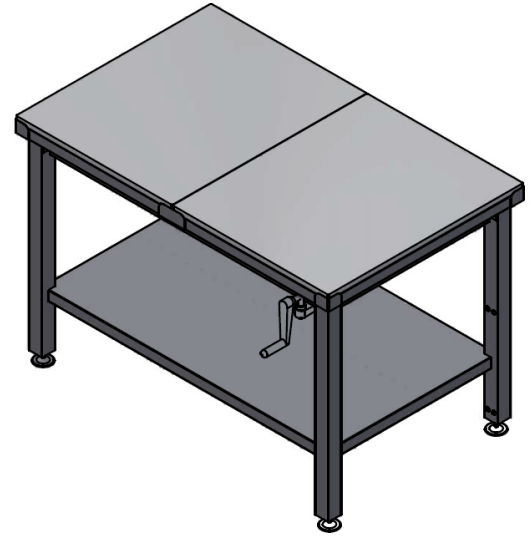
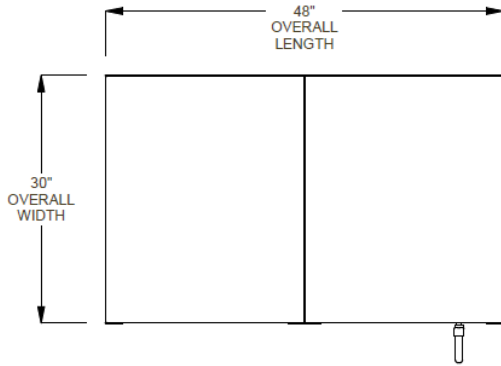
ADJUSTABLE STAINLESS STEEL TABLES



Founded in 1946

Adjustable Stainless Steel Tables

Model DTS-3048H32-ADJ-9-PT



Model Number	Order Number	Overall Dimensions			Approx. Ship Wt
		Width	Length	Overall Height	
		(in)	(in)	(in)	
Poly Top					
DTS-3048H32-ADJ-9-PT	1153917	30	48	32 - 41	220
DTS-3060H32-ADJ-9-PT	1153918	30	60	32 - 41	250
DTS-3072H32-ADJ-9-PT	1153919	30	72	32 - 41	280
Stainless Steel Top					
DTS-3048H32-ADJ-9	1153870	30	48	32 - 41	185
DTS-3060H32-ADJ-9	1153882	30	60	32 - 41	210
DTS-3072H32-ADJ-9	1153884	30	72	32 - 41	230

Freight Class: 300

In line with our policy to continually improve our products, Winholt reserves the right to change materials and specifications without notice.