



Project: \_\_\_\_\_  
Items: \_\_\_\_\_  
Quantity: \_\_\_\_\_  
Approval: \_\_\_\_\_  
Date: \_\_\_\_\_

## Enclosed Mobile Transport Cabinets

This unit is a perfect solution to save and organize work spaces efficiently, while maintaining quality of goods being stored and transported.

### Features:

- Non-insulated aluminum welded construction
- Clear acrylic door
- Double Pan construction with reinforced braces
- 1.5" spacing between runners
- Maneuvers easily on large 5" polyurethane casters
- Locking caster available on request

### Benefits:

- Saves work space by allowing easy storage of goods
- Easy efficient solution in transporting goods
- Ergonomic design of the cabinet makes it easily maneuverable
- Aluminum construction makes the unit light-weight, yet durable
- Clear acrylic door allows for easy identification of stored goods



**EC1840-C**

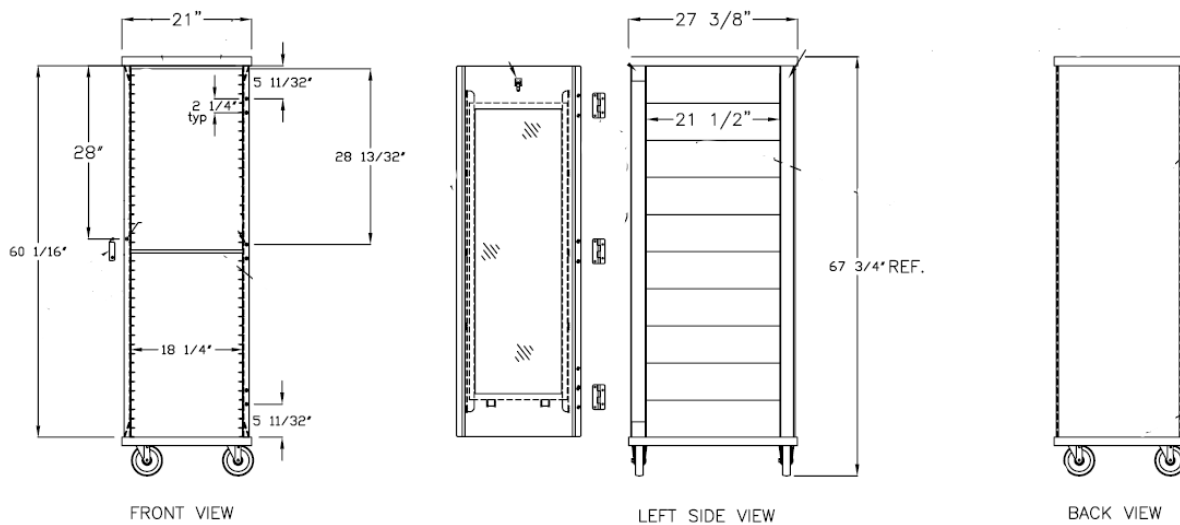


**EC1840-C/LD**



Founded in 1946

## Enclosed Mobile Transport Cabinets



Model Number	Order#	Overall Dimensions						Approx. Ship Wt	
		Width		Length		Height			
		(in)	(mm)	(in)	(mm)	(in)	(mm)	(lb)	(kg)
EC1840-C/LD	651680	21	533	27.375	705	68.25	1734	94	43

Freight Class: 150



In line with our policy to continually improve our products, Winholt reserves the right to change materials and specifications without notice.